

2070H

Diesel

Pneumatic Tire Forklifts



Model	Capacity @ 600mm LC	Fuel Type	Engine
2070H	7,000 kg	Diesel	Chaochai CY6102BG-E2-27C/5.785L
2070H	7,000 kg	Diesel	ISUZU A-6BG1QC-02/6.494L



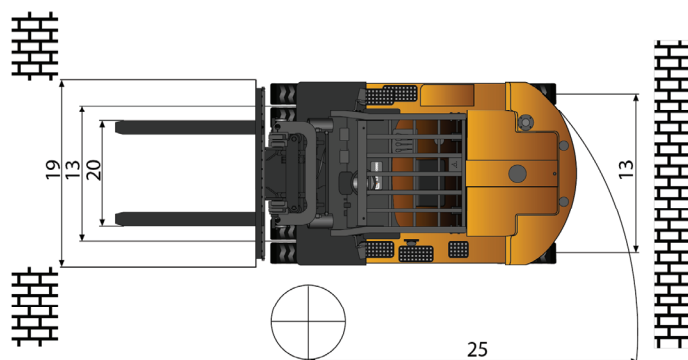
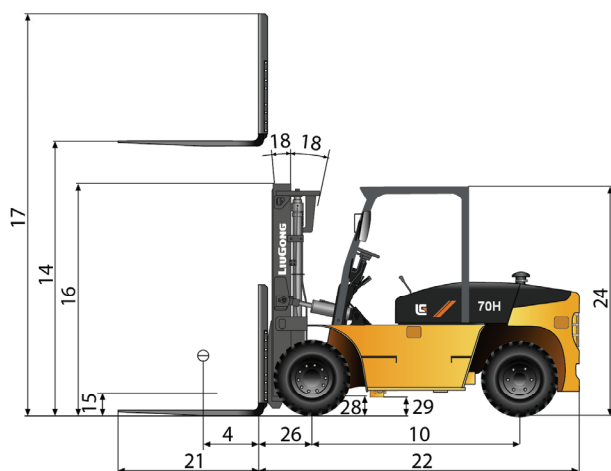
LiuGong Divisão empilhadeiras - Distribuidor Exclusivo SC
Rodovia Br 101, Km 197, no 1556, Biguaçu - SC / Gde Fpolis
www.gama-sc.com.br (48) 3357-4040

2070H

Diesel • Pneumatic Tire Forklifts



General	1	Model			2070H	2070H
		2	Power Type			Diesel
	3	Base Capacity	@ rated load center	kg	7,000	7,000
	4	Load Center		mm	600	600
Weights	5	Service Weight	unloaded	kg	9,300	9,300
	6	Axle Load	loaded/unloaded, front	kg	14,460 / 3,800	14,460 / 3,800
	7		loaded/unloaded, rear	kg	1,840 / 5,500	1,840 / 5,500
Tires	8	Tire Type			Pneumatic	Pneumatic
	9	Wheels	front / rear		4 / 2	4 / 2
	10	Wheelbase		mm	2,250	2,250
	11	Tire Size	front		8.25x15	8.25x15
	12		rear		8.25x15	8.25x15
	13	Tread Width	front/rear		1,474 / 1,730	1,474 / 1,730
Mast	14	Max. Fork Height	with std 2-stage mast	mm	3,000	3,000
	15	Freelift	with std 2-stage mast	mm	210	210
	16	Height, Upright Lowered	with std 2-stage mast	mm	2,534	2,534
	17	Height, Upright Extended	with std 2-stage mast	mm	4,377	4,377
	18	Mast Tilt, Fwd/Back	with std 2-stage mast	deg	6° / 12°	6° / 12°
	19	Carriage	width	mm	1,840	1,840
	20	Fork Spread	minimum/maximum	mm	300 / 1,840	300 / 1,840
	21	Fork Dimensions	T x W x L	mm	65x150x1,520	65x150x1,520
Chassis	22	Length to Fork Face	with std 2-stage mast	mm	3,584	3,584
	23	Overall Width		mm	2,040	2,040
	24	Overhead Guard Height		mm	2,520	2,520
	25	Turning Radius	minimum outside	mm	3,550	3,550
	26	Right Angle Stack	add load length and clearance	mm	3,255	3,255
	27	Ground Clearance	minimum loaded	mm	203	203
	28		center of wheelbase	mm	250	250
Performance	29	Travel Speed	loaded/unloaded	kph	25 / 32	22 / 25
	30	Lift Speed	loaded/unloaded	m/s	0.48 / 0.6	0.4 / 0.52
	31	Lower Speed	loaded/unloaded	m/s	0.55 / 0.4	0.55 / 0.4
	32	Max. Drawbar Pull	loaded	kg	5,500	5,500
	33	Max. Gradeability	loaded / unloaded	%	30/20	30/20
Systems	34	Brakes	service		Foot / Air over Hyd	Foot / Hyd
	35		parking		Hand / Mech	Hand / Mech
	36	Engine	manufacturer		ChaoChai	ISUZU
	37		model		CY6102BG-E2-27C	A-6BG1QC-02
	38		emission compliance		China Tier II	Euro Tier I
	39		cylinders		6	6
	40		displacement	L	5.8	6.5
	41		rated power	kW/rpm	81 / 2,500	82.4 / 2,000
	42		max. torque	Nm/rpm	353 / 1,650	416.8 / 1,500



Specifications and designs are subject to change without notice. Machines shown may include optional equipment.